



Jaw Crusher

-Hydraulic Series



- ▷ MSH3624
- ▷ MSH4230
- ▷ MSH5434

Feature



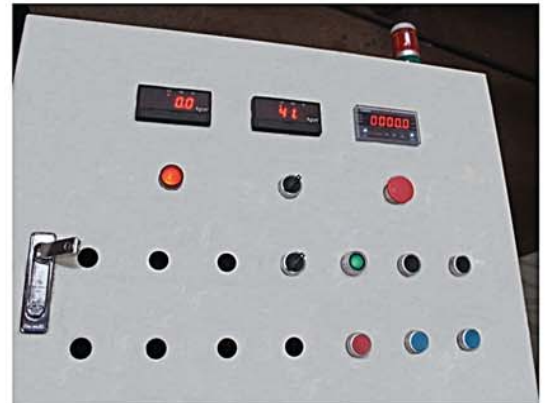
Machine:

1. Crusher built with high strength steel plates and recessed welding structure, which greatly increases structural strength.
2. Due to CO2 gas welding and annealing treatment of main frame, the crusher is able to withstand strong impact during operation.
3. Pitman arm locked via hydraulic cylinder and nitrogen accumulator, providing stable crushing force and quick adjustment.



Controller:

1. Full hydraulic discharge gap adjustment via control panel, no need for manual adjustment on the crusher.
2. LED shows related gap adjustment data.
3. Gap adjustment completely without down time and in-feed stop.
4. The controller can automatically lock the crushing chamber, for gap adjustment anytime according to feed and discharge requirements.

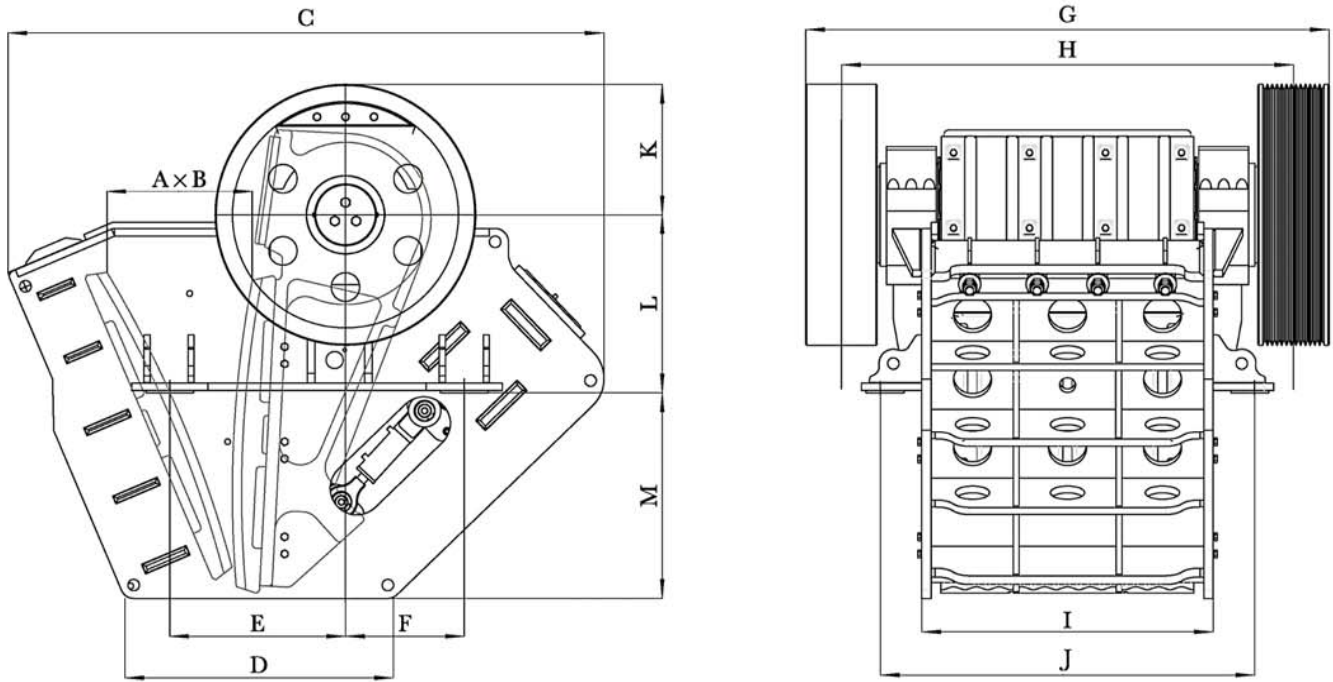


Crushing Process



Quality-Service-Friendship

General Dimension



| Model No. | Dimensions [mm] | | | | | | | | | | | | |
|-----------|-----------------|-----|------|------|-----|-----|------|------|------|------|-----|------|------|
| | A | B | C | D | E | F | G | H | I | J | K | L | M |
| MSH3624 | 910 | 609 | 2318 | 1144 | 805 | 335 | 2066 | 1830 | 1080 | 1330 | 671 | 756 | 989 |
| MSH4230 | 1066 | 762 | 2760 | 1219 | 895 | 225 | 2486 | 2140 | 1250 | 1480 | 711 | 1020 | 1127 |
| MSH5434 | 1300 | 850 | 3137 | 1412 | 925 | 625 | 2755 | 2380 | 1534 | 1970 | 686 | 937 | 1081 |

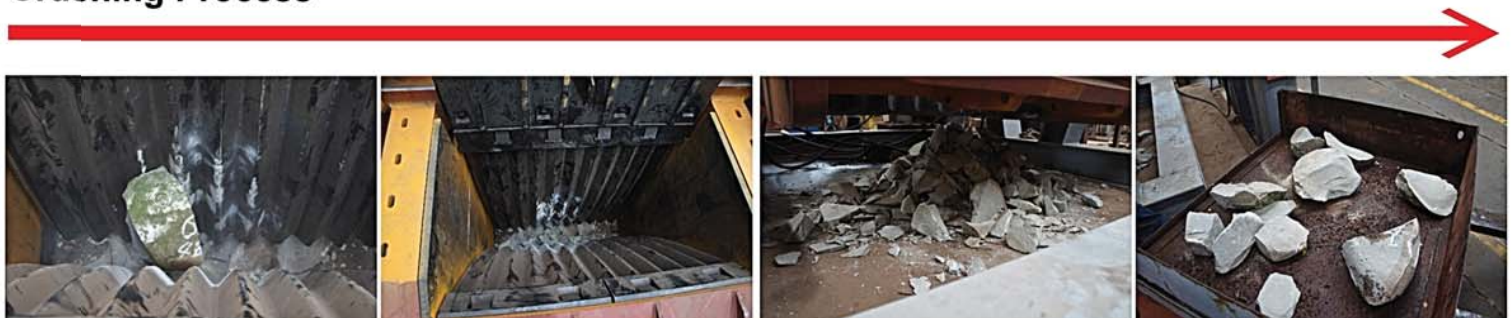
All parameters are for reference only and subject to change without notice.

General Specifications

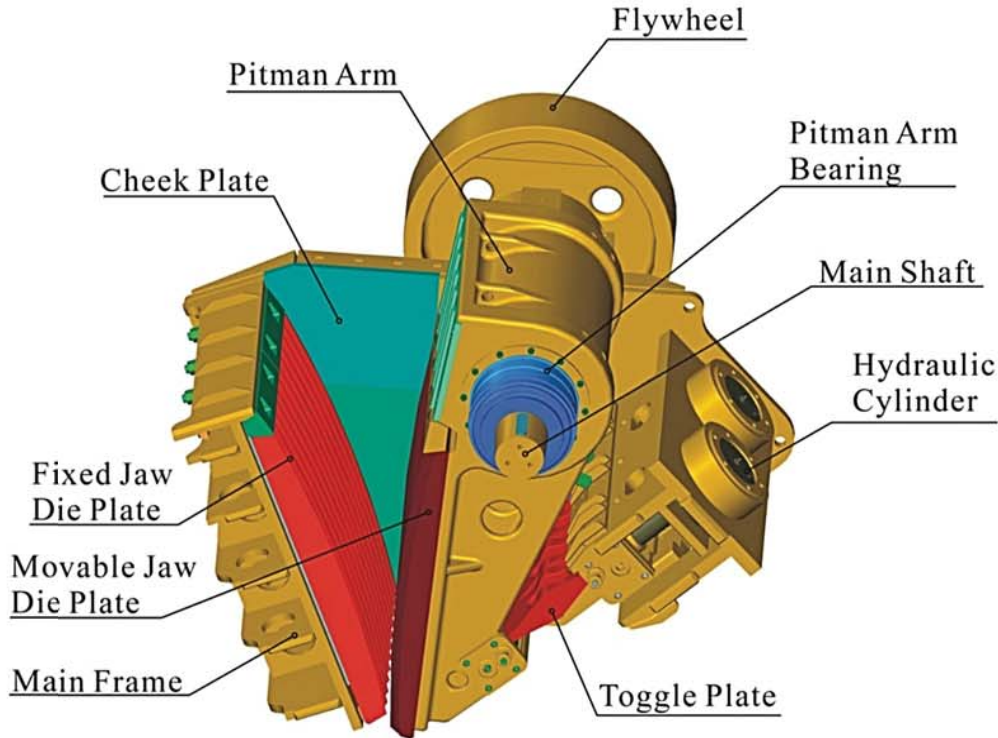
| Model No. | Feed Opening [mm] | RPM | Motor [kW] | Crushing Capacity*, Tons/Hr. | | | | | | | Weight [KG] | |
|-----------|-------------------|-----|------------|------------------------------------|-----|-----|-----|-----|-----|-----|-------------|-------|
| | | | | Closed Side Discharge Opening [mm] | | | | | | | | |
| | | | | 80 | 100 | 125 | 150 | 200 | 225 | 250 | | |
| MSH3624 | 900 x 600 | 250 | 60 - 75 | 116 | 143 | 176 | 200 | | | | | 12840 |
| MSH4230 | 1050 x 650 | 230 | 90 - 115 | | 198 | 231 | 261 | 323 | | | | 19860 |
| MSH5434 | 1300 x 850 | 200 | 135 - 150 | | 280 | 340 | 390 | 470 | 500 | 550 | | 27500 |

Capacity/ throughput based on continuous regulated feed of clean, dry limestone of normal hardness with a bulk density of 1.6 ton / m³. Capacity may vary +/- 25% with the size and nature of the rock and the working conditions of the plant.

Crushing Process

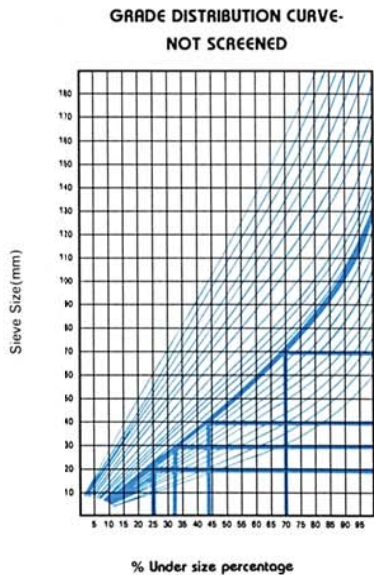


Profile Construction



General Gradation Curves

GRADE DISTRIBUTION CURVES OF CRUSHED STONES

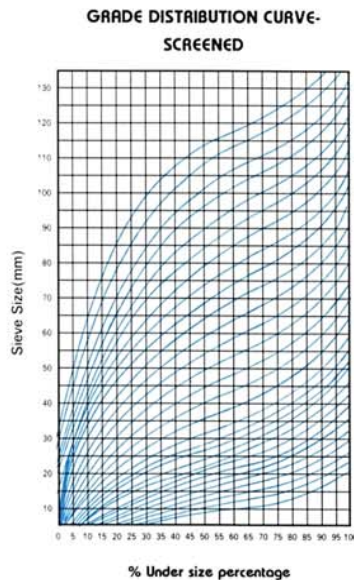


EXAMPLE OF USING THE DISTRIBUTION CURVES

GIVEN: Jaw Crusher for primary crushing of riverstone with 70mm discharge setting.

FIND: The grade distribution in not-screened situation.

GET: From the table below and the chart on the left, we know the percentage of under setting size is 70% and the grade distribution of the crushed stones are 44% under 40mm, 33% under 30mm, 24% under 20mm with max. product size 130mm.



| Type | Kind of Feed | Lime Stone | River Stone | Quarry |
|------|--------------|------------|-------------|--------|
| MSH | Screened | 80-85% | 65-70% | 80-85% |
| | Not Screened | 85-90% | 70-75% | 85-90% |



Minyu Machinery Corp., Ltd.

Telephone: +886-2-8751-2022

Fax: +886-2-8751-2051

E-Mail: office@minyu.com

Address: 4F., No.431, Ruiguang Rd., Neihu Dist., Taipei City 11492, Taiwan.