



IMPACT CRUSHER

-Standard Series



- ▷ MIC102092
- ▷ MIC102115
- ▷ MIC102152
- ▷ MIC133076
- ▷ MIC133092
- ▷ MIC133115
- ▷ MIC133152
- ▷ MIC133184

Feature



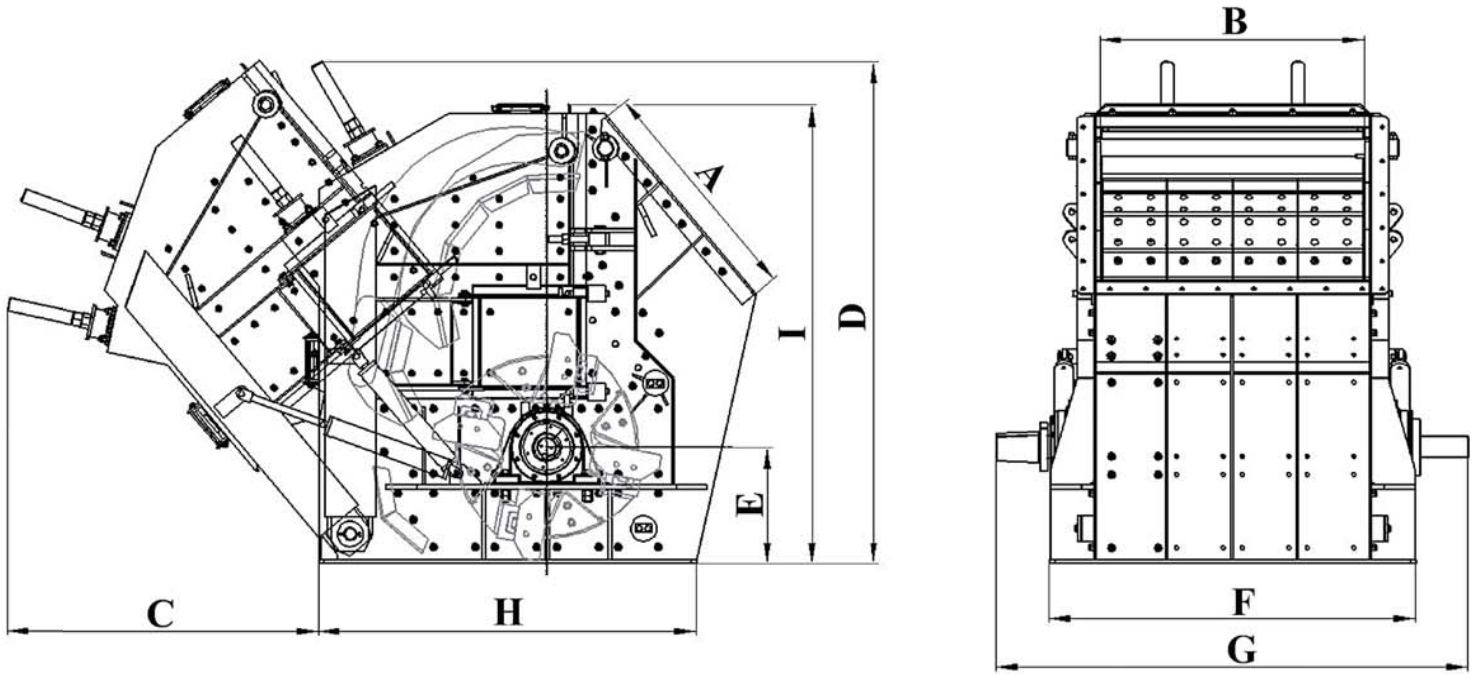
1. Hydraulic clearing device, to clear out oversized rock.
2. With 45 degree feed chute, replaceable liners, and hydraulic curtain relief.
3. With solid and strong heavy duty shaft and blow bar seat.
4. Thick blow bars with locking tongue set into replaceable blow bar seat.
5. All curtain liners are interchangeable.
6. Hydraulic hood opening for quick wear plate replacement.
7. Positive rotor lock for safety during blow bar changes.



MIC133152 / 2013 / Taiwan / 300 TPH

Quality-Service-Friendship

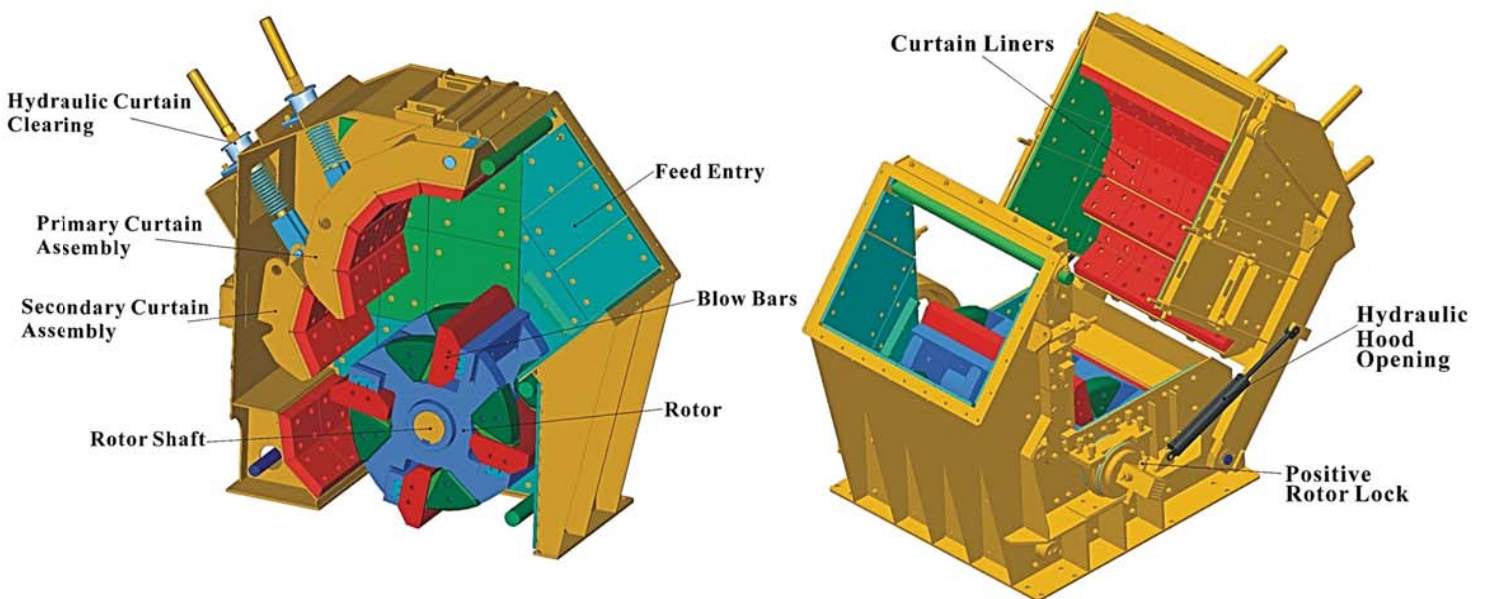
General Dimension

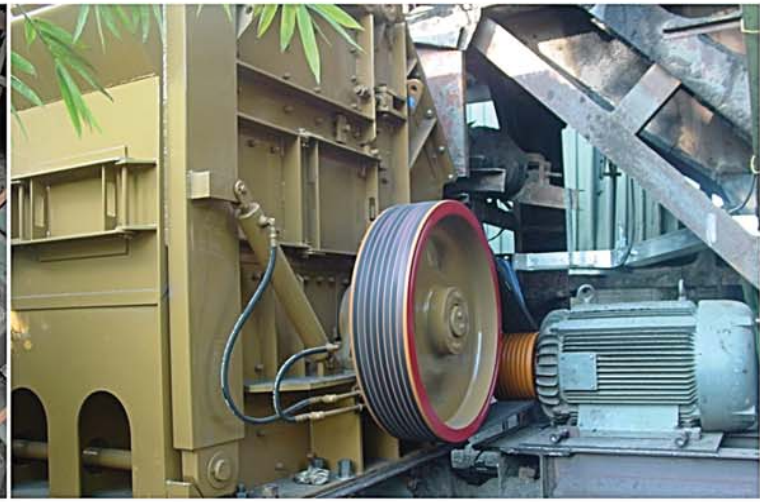


Model No.	Dimensions [mm]									Working Diameter of Rotor [mm]	Effective Width of Rotor [mm]	Overall Dimensions [mm]
	A	B	C	D	E	F	G	H	I			
MIC102092	800	930	1493	2400	509	1525	2210	1790	2055	1020	914	2440x2445x2324
MIC102115	800	1160	1488	2382	509	1755	2430	1790	2055	1020	1143	2440x2660x2324
MIC102152	800	1540	1507	2355	509	2135	2750	1790	2055	1020	1524	2460x2802x2408
MIC133076	1059	778	1851	2944	679	1372	2050	2200	2676	1330	762	3070x2270x2922
MIC133092	1065	930	1851	2928	679	1524	2210	2200	2686	1330	914	3070x2442x2922
MIC133115	1065	1160	1851	2944	679	1754	2430	2200	2686	1330	1143	3070x2660x2922
MIC133152	1142	1540	1890	2928	679	2134	2830	2200	2676	1330	1524	3070x3026x2922
MIC133184	1065	1844	1851	2927	679	2438	3130	2200	2676	1330	1848	3080x3130x2940

All parameters are for reference only and subject to change without notice.

Profile Construction



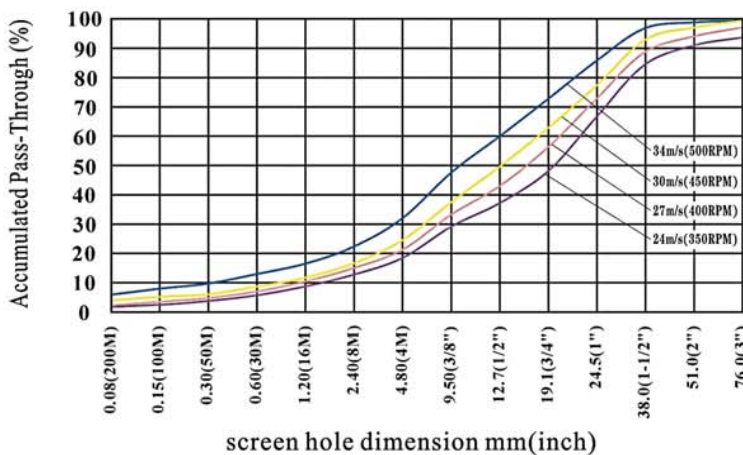


General Specifications

Model No.	Feed Opening [mm]	Motor Rating [kW]	Throughput (TPH) at Closed Side / Discharge Opening [mm]						Weight [KG]
			76	63	51	38	25	19	
MIC102092	800x930	55-75	135	120	110	94	80	60	10300
MIC102115	800x1160	90-110	170	150	137	120	100	75	11500
MIC102152	800x1540	110-132	215	186	160	145	116	95	13350
MIC133076	1065x778	55-75	173	152	140	121	102	76	11400
MIC133092	1065x930	90-110	209	184	169	145	124	92	13900
MIC133115	1065x1160	132-160	261	230	211	184	155	116	16000
MIC133152	1065x1540	185-220	422	382	344	303	254	193	19500
MIC133184	1065x1844	185-220	548	496	448	394	330	250	22000

Capacity/ throughput based on continuous regulated feed of clean, dry limestone of normal hardness with a bulk density of 1.6 ton / m³. Capacity may vary +/- 25% with the size and nature of the rock and the working conditions of the plant.

General Gradation Curves



Before



After



Minyu Machinery Corp., Ltd.

Telephone: +886-2-8751-2022

Fax: +886-2-8751-2051

E-Mail: office@minyu.com

Address: 4F., No.431, Ruiguang Rd., Neihu Dist., Taipei City 11492, Taiwan.