



Jaw Crusher

-Standard Series



- ▷ MS2416
- ▷ MS3020
- ▷ MS3620
- ▷ MS3624
- ▷ MS4226
- ▷ MS4230
- ▷ MS4832
- ▷ MS4840
- ▷ MS5432
- ▷ MS6040
- ▷ MS6048

Feature



1. With larger feed openings and longer crushing chamber, suitable to crush big lumps of stones.
2. Main frame made of welded high strength steel plates, with heat treatment which makes it particularly strong.
3. Pitman arm with precise counter weight, for stable crushing process with very low vibration.
4. Shaft made of alloy steel, having high tenacity and impact resistance after heat treatment and precision grinding.
5. Heavy-duty roller bearings can carry heavy load during crushing.
6. Gap adjustment with hydraulic operation, fast and convenient.



General Specifications

Model No.	Feed Opening Max.[mm]	RPM	Motor [kW]	Throughput [TPH] at Closed Side Discharge Opening [mm]										Weight [KG]	
				50	70	80	100	125	150	200	225	250	300		
MS2416	600x400	275	30~40	26	38	45	60	75							6400
MS3020	750x500	250	45~60	40	60	70	90	112	130						9300
MS3620	900x500	250	60~75	45	72	85	100	130							11100
MS3624	900x600	250	60~75			105	130	160	182						14100
MS4226	1050x650	260	75~90				150	180	205	255					17200
MS4230	1050x750	230	90~115				180	210	237	294					20500
MS4832	1200x800	230	115~150				210	250	280	320	350				26650
MS4840	1200x1000	200	130~150					265	302	370	402				45000
MS5432	1350x800	200	135~150				250	300	340	420	450				27550
MS6040	1500x1000	200	185~225					310	350	440	480	510			50200
MS6048	1500x1200	190	185~265						415	500	540	580	630		73700

Capacity/ throughput based on continuous regulated feed of clean, dry limestone of normal hardness with a bulk density of 1.6 ton / m³. Capacity may vary +/- 25% with the size and nature of the rock and the working conditions of the plant.

Quality-Service-Friendship

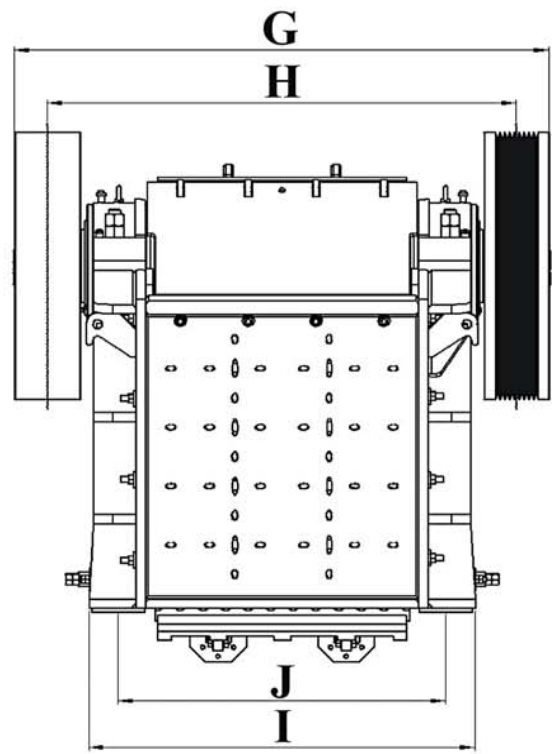
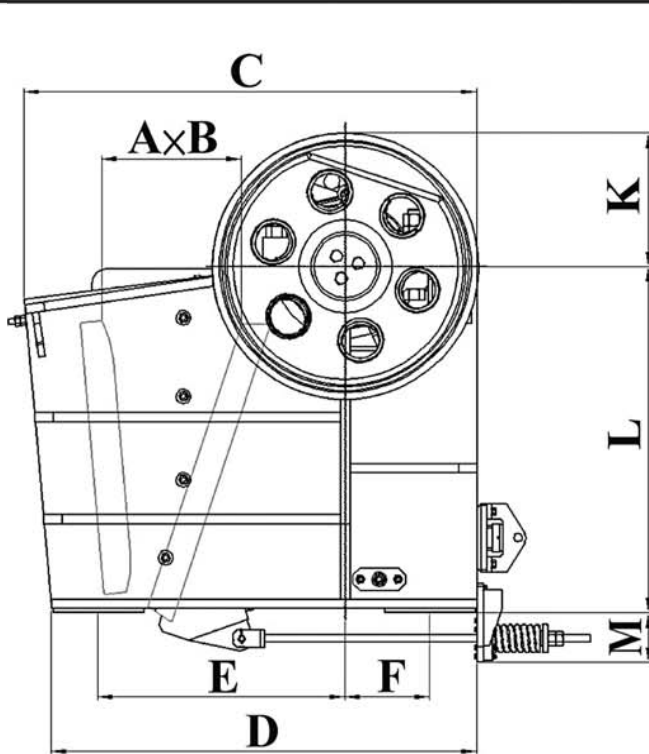


MS5432 / 2008 / Taiwan / 350 TPH



MS6040 / 2006 / Taiwan / 400TPH

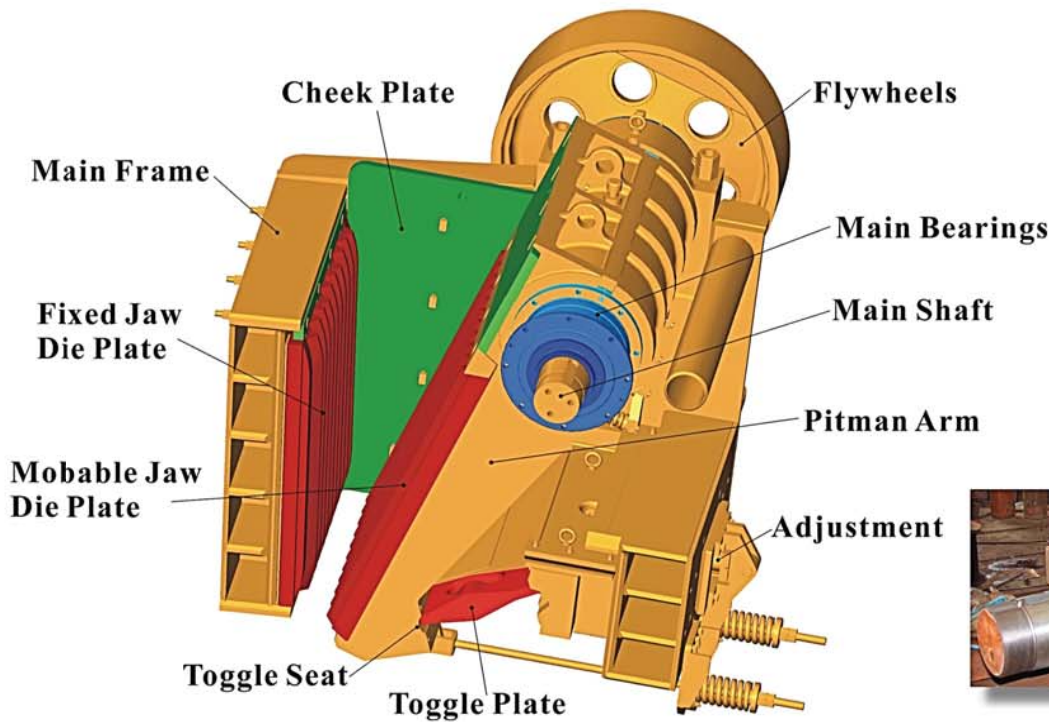
General Dimension



Model No.	Dimensions [mm]												
	A	B	C	D	E	F	G	H	I	J	K	L	M
MS2416	600	400	1550	1462	770	390	1534	1340	1080	970	485	1160	175
MS3020	750	500	1660	1562	870	390	1732	1534	1270	1150	601	1270	180
MS3620	900	500	1720	1622	871	449	1998	1800	1510	1360	601	1270	235
MS3624	900	600	1910	1793	990	400	2066	1830	1500	1360	671	1515	240
MS4226	1050	650	2185	2058	934	456	2330	1980	1660	1510	600	1591	82
MS4230	1050	750	2280	2142	1190	450	2486	2144	1750	1550	711	1820	266
MS4832	1200	800	2460	2319	1370	450	2686	2344	1900	1700	711	1820	265
MS4840	1200	1000	2950	2765	1545	620	2978	2610	2040	1820	994	2370	350
MS5432	1350	800	2400	2259	1310	450	2836	2490	2050	1850	711	1840	265
MS6040	1500	1000	2950	2765	1540	620	3248	2880	2340	2120	994	2350	320
MS6048	1500	1200	3640	3380	1830	730	3532	3120	2450	2220	1044	2830	170

All parameters are for reference only and subject to change without notice.

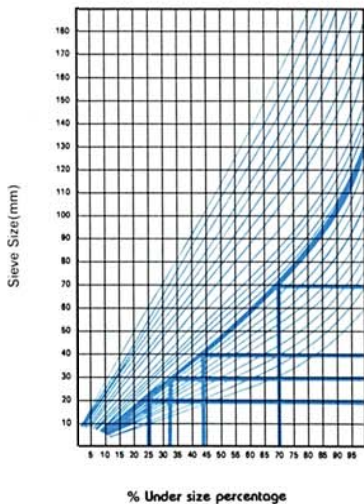
Profile Construction



General Gradation Curves

GRADE DISTRIBUTION CURVES OF CRUSHED STONES

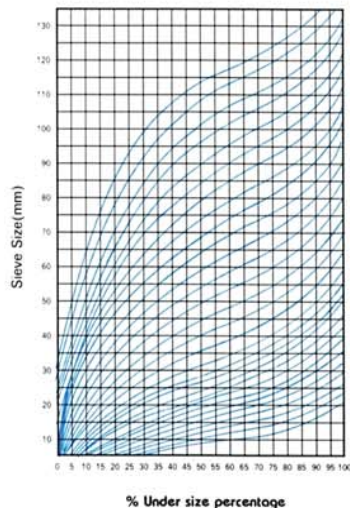
GRADE DISTRIBUTION CURVE- NOT SCREENED



EXAMPLE OF USING THE DISTRIBUTION CURVES

GIVEN: Jaw Crusher for primary crushing of riverstone with 70mm discharge setting.
 FIND: The grade distribution in not-screened situation.
 GET: From the table below and the chart on the left, we know the percentage of under setting size is 70% and the grade distribution of the crushed stones are 44% under 40mm, 33% under 30mm, 24% under 20mm with max. product size 130mm.

GRADE DISTRIBUTION CURVE- SCREENED



Type	MS	
	Screened	Not Screened
Lime Stone	80-85%	85-90%
River Stone	65-70%	70-75%
Quarry	80-85%	85-90%



Minyu Machinery Corp., Ltd.

Telephone: +886-2-8751-2022

Fax: +886-2-8751-2051

E-Mail: office@minyu.com

Address: 4F., No.431, Ruiguang Rd., Neihu Dist., Taipei City 11492, Taiwan.