



# IMPACT CRUSHER

-Vertical Shaft



▷ MIV800

# Feature



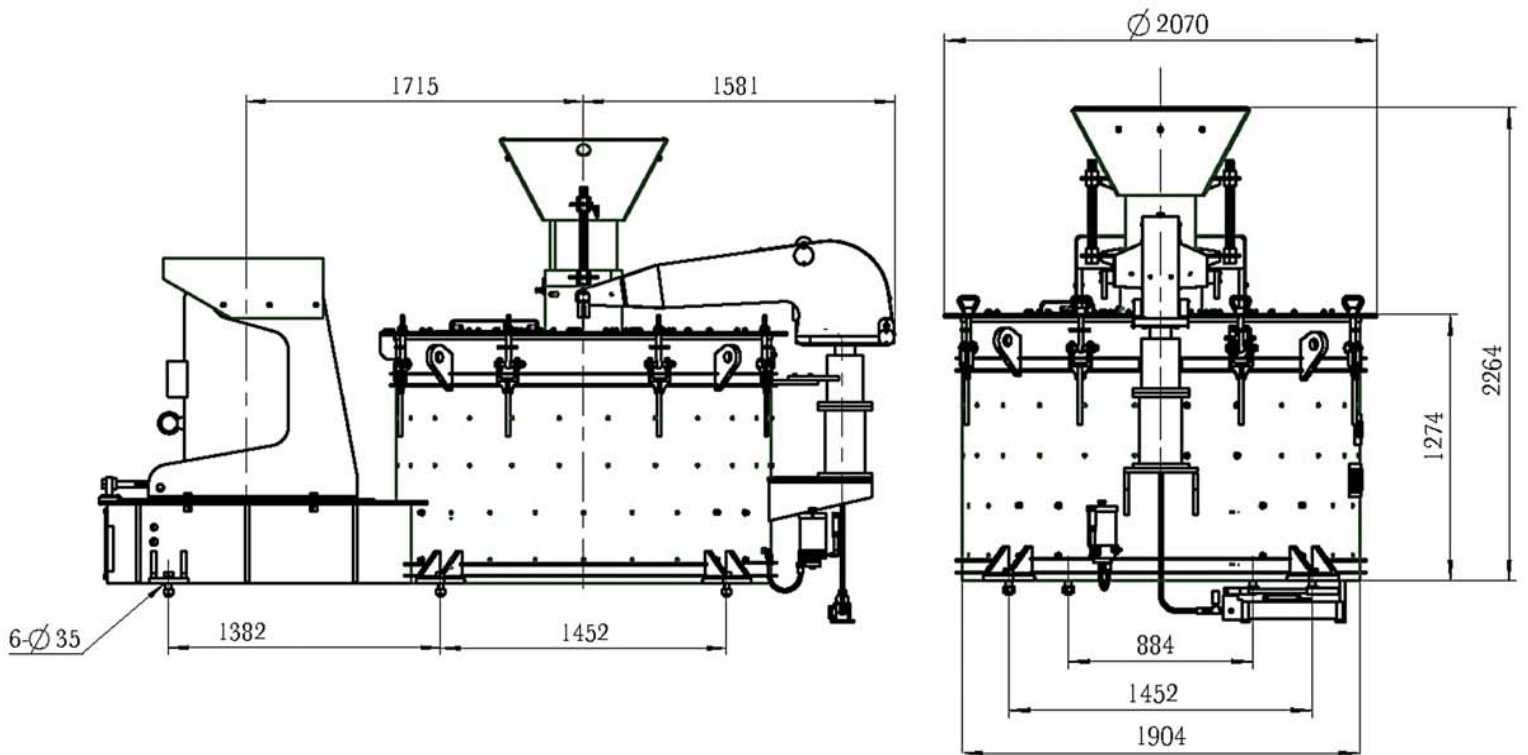
1. Quick installation, easy operation  
low maintenance cost, high capacity.
2. High quality cubical crushed product.
3. Controls product grain & gradation and adjusts fine material percentage.
4. Convenient high quality lubrication system.
5. Closed balanced rotors for easy operation and maintenance.



MIV800 / 2008 / China / 100 TPH

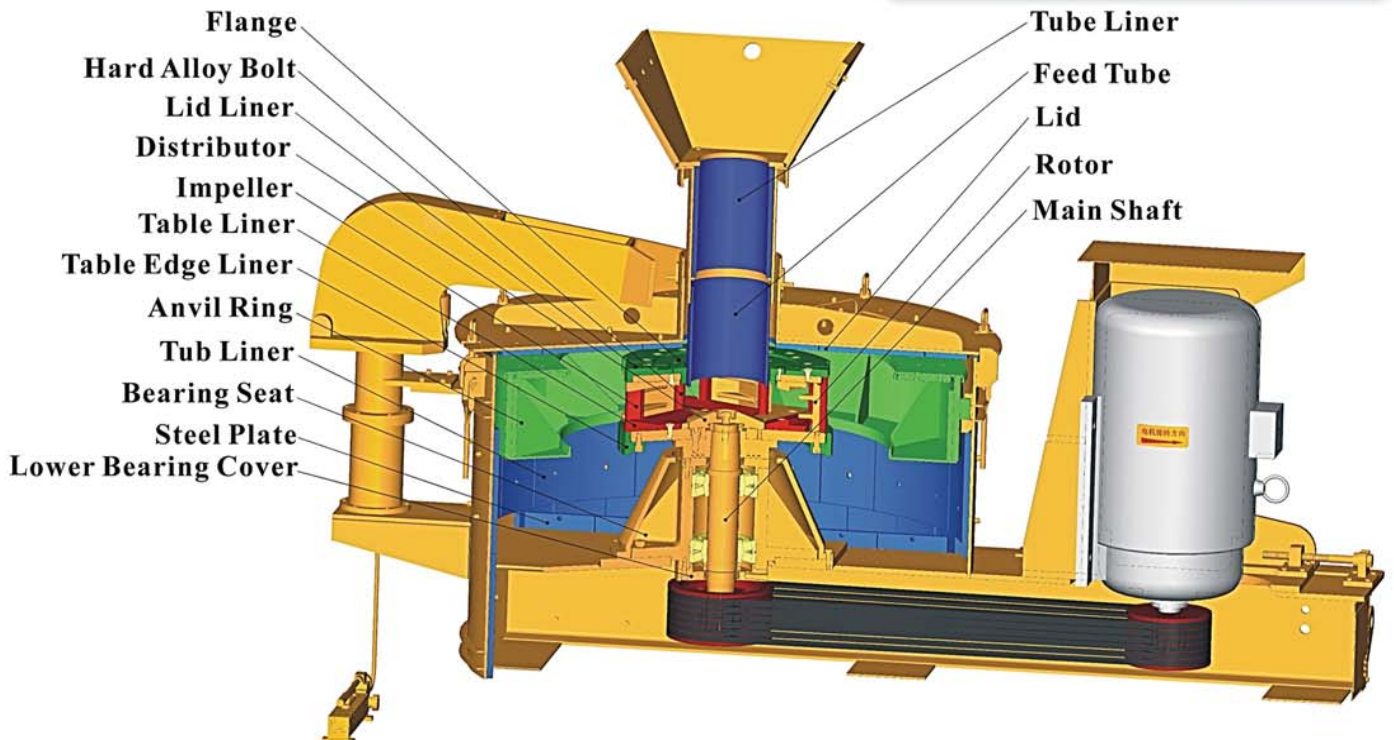
*Quality-Service-Friendship*

# General Dimension



All parameters are for reference only and subject to change without notice.

# Profile Construction





MIV800 / 2008 / China / 100 TPH

## General Specifications

- Max. Feed Size : 50 mm
- Rotor Diameter : 800 mm
- Rotor Rotation Speed : 1200~1800 rpm
- Capacity : 35-170 TPH
- Electric Power : 200 kW
- Weight ( without motor ) : 7,700 kg

Note : The processing capacity mentioned above is the gross production in open circuit . Production capacity is related with operating conditions such as physical properties of the crushed material -max. feed size -plant configuration etc.  
 Capacity based on continuous regulated feed of clean, dry limestone of normal hardness with a bulk density of 1.6 ton/m3.  
 Capacity may vary +/- 25% with the size and nature of the rock and the working conditions of the plant. All parameters are for reference only & subject to change without notice.



## General Gradation Curves



**Minyu Machinery Corp.,Ltd.**

Telephone: +886-2-8751-2022

Fax: +886-2-8751-2051

E-Mail: office@minyu.com

Address: 4F., No.431, Ruiguang Rd., Neihu  
 Dist., Taipei City 11492, Taiwan.