



Vibrating Feeder

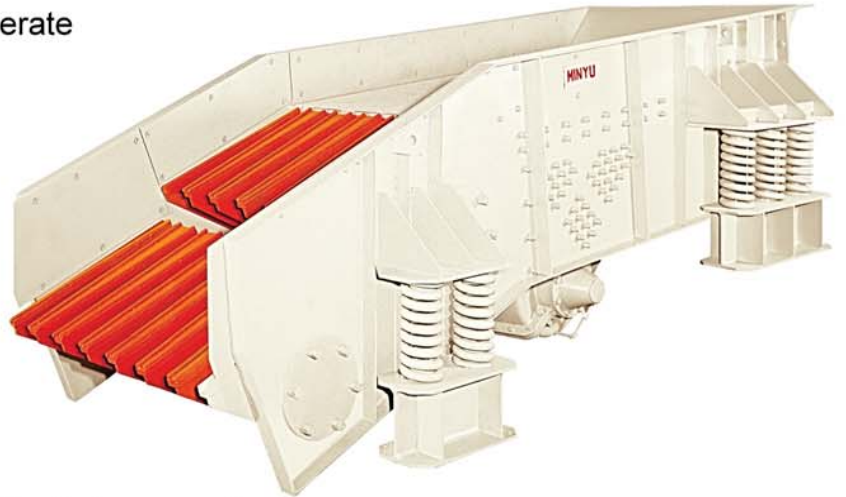


- ▷ Grizzly Series
- ▷ Horizontal Grizzly Series

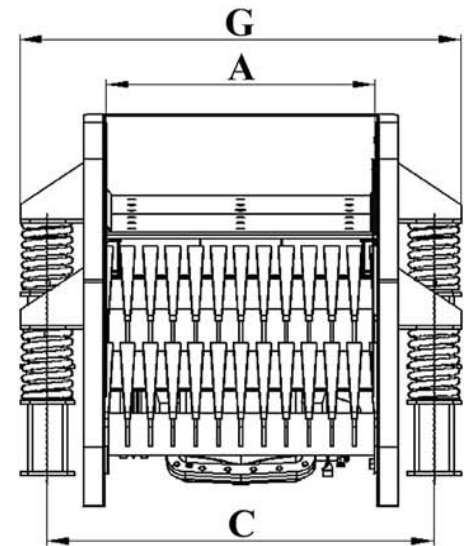
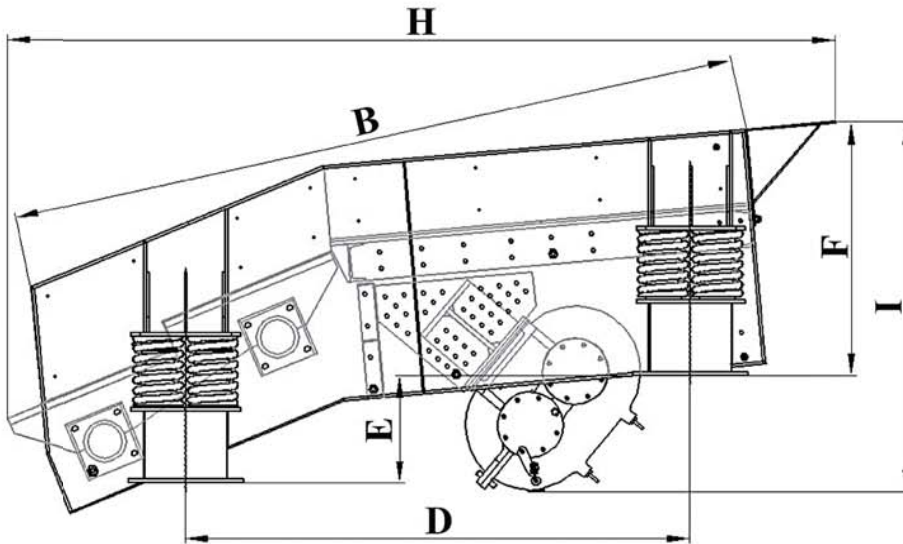
Vibrating Grizzly Feeders

Feature

1. Mainly used for river stone and gravel.
2. Regulate feed rate of the in-feed material.
3. Choose in-feed size via grizzly bars, let the smaller materials by-pass to the secondary crusher, and lead the bigger materials into the primary crusher, to maximize crushing capacity.
4. Two counter-rotating eccentric shafts generate an eccentric force and a linear vibrating motion, via grizzly bars with 45 degrees inclination angle, big and small material sizes can be effectively screened out.
5. Special design of grizzly bars to eliminate clogging and foreign material, which improves sizing effect.
6. Special treatment of grizzly bar profile to increase service life.
7. Four sets of springs increase feeder stability during operation.
8. Remote control of feeding capacity by variable speed motor directly from the control room.



General Dimension and Specifications



Model No.	Dimensions [mm]									Max. Lump Size [mm]	RPM	Capacity [TPH]	Motor Rating [kW]	Weight [KG]
	A	B	C	D	E	F	G	H	I					
MVG924	900	2400	1280	1670	357	840	1460	2739	1235	450	600-950	100-200	7.5-11	1800
MVG1230	1200	3000	1690	2150	395	983	1940	3331	1320	600	600-950	160-320	11-15	3500
MVG1542	1500	4200	2080	2600	440	1355	2368	4604	1818	800	600-950	250-500	22-30	7500

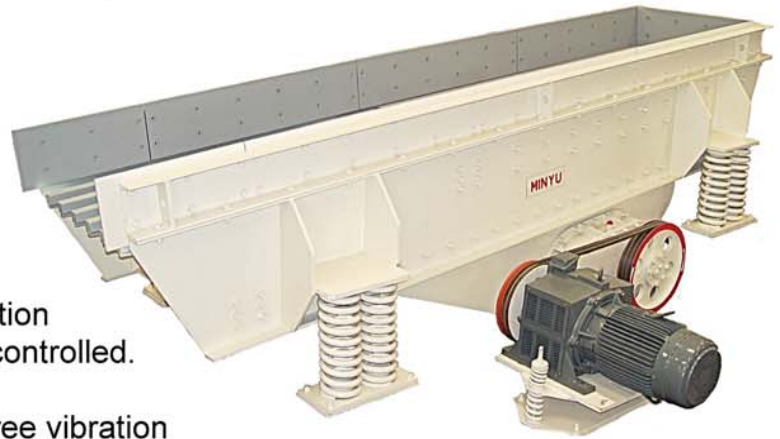
All parameters are for reference only and subject to change without notice.

Quality-Service-Friendship

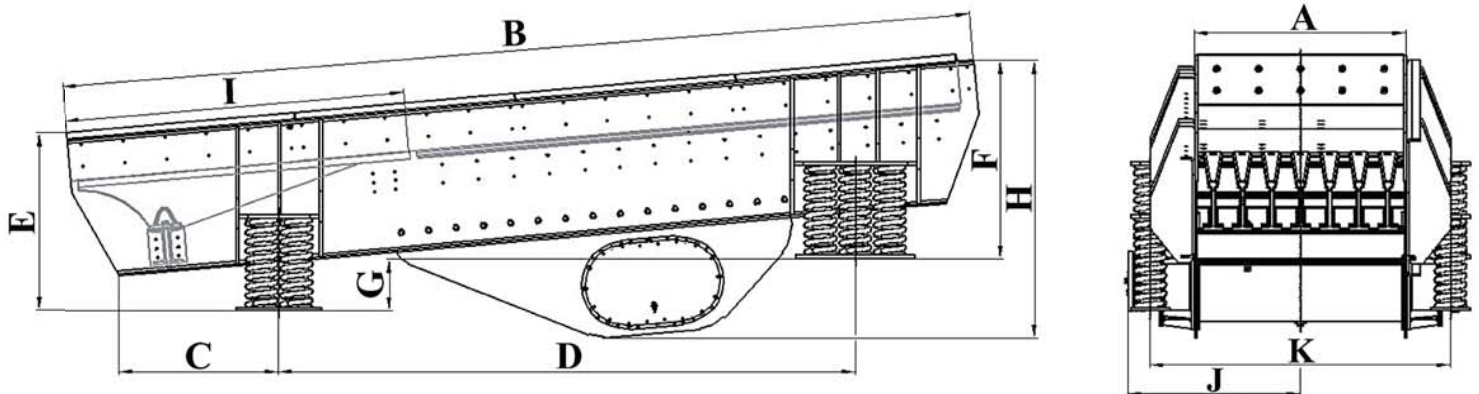
Horizontal Vibrating Grizzly Feeders

Feature

1. Regulate feed rate and separate material size of the in-feed material.
2. Remove unwanted material, let the smaller materials by-pass to the crusher, to improve crushing capacity.
3. With lower profile and longer, they can not only be applied in stationary plant configurations, but also in portable plants.
4. Suitable for continuous and stable ore feed.
5. Two unbalanced, counter-rotating shafts generate an elliptical motion, throwing materials upward and forward.
6. By adjusting the counterweights, throw direction of the material and vibrating motion can be controlled.
7. Entire feeder mounted on springs, to allow free vibration and absorb shock loads.
8. Bolt-in adjustable grizzly bars can be spaced according to customer's requirements.
9. Tapered grizzly bars prevent clogging and accelerate quick discharge of under-size materials.
10. Driven by variable speed motor allowing adjustable feed rates.
11. Long carry space suitable for ore prone to easy bridge building.



General Dimension and Specifications



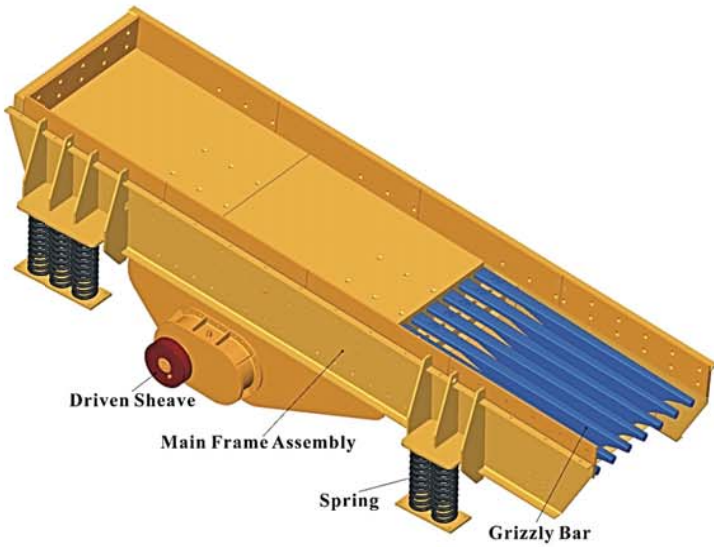
Model No.	Dimensions [mm]											Max. Lump Size [mm]	RPM	Capacity [TPH]	Motor Rating [kW]	Weight [KG]
	A	B	C	D	E	F	G	H	I	J	K					
MVGH824	800	2400	433	1607	970	1535	344	1535	1145	780	1156	450	600-850	200-300	11-15	3450
MVGH943	884	4300	618	2700	959	1105	236	1536	1859	828	1400	500	600-850	300-400	15-20	4450
MVGH1150	1134	5000	876	3165	945	1120	290	1556	1872	962	1650	550	600-850	450-550	22-30	5350
MVGH1360	1288	6000	840	4265	1035	1165	386	1600	1836	1063	1804	600	600-850	600-700	30-40	6400
MVGH1560	1500	6000	840	4265	1035	1165	386	1600	1836	1178	2016	1000	600-850	700-800	37-50	7050

All parameters are for reference only and subject to change without notice.

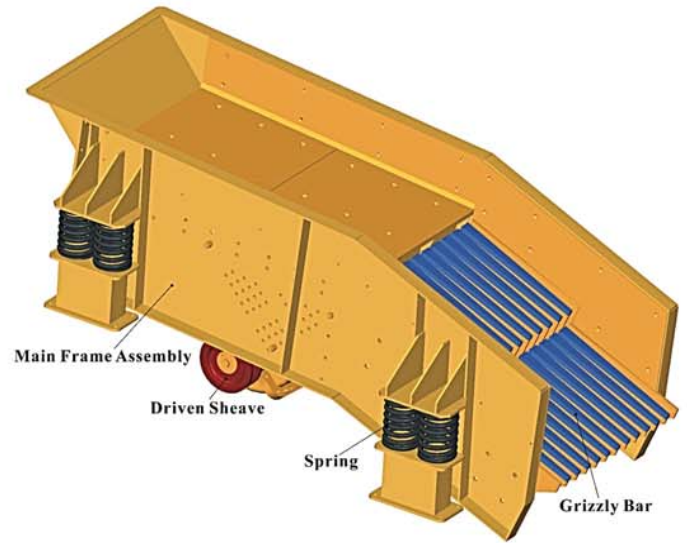


MVGH1150 / 2008 / Saudi Arabia / 250 TPH

Profile Construction



Horizontal Grizzly Series



Grizzly Series



Minyu Machinery Corp., Ltd.

Telephone: +886-2-8751-2022

Fax: +886-2-8751-2051

E-Mail: office@minyu.com

Address: 4F., No.431, Ruiguang Rd., Neihu
Dist., Taipei City 11492, Taiwan.

WWW.MINYU.COM